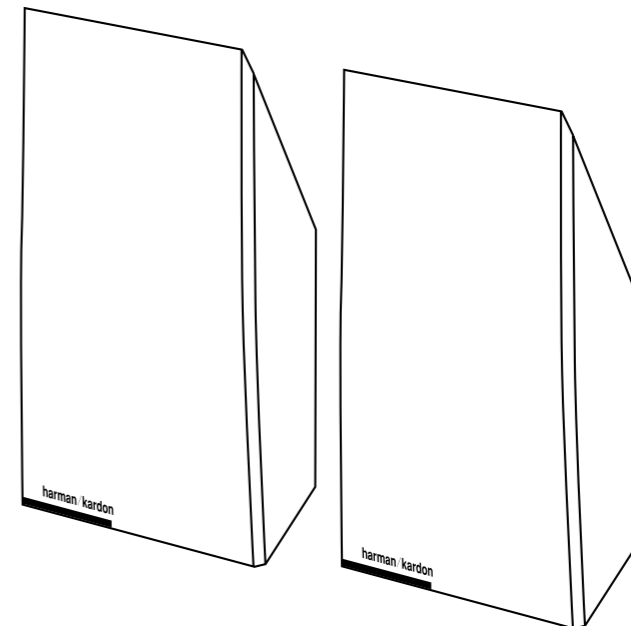


**harman/kardon®**  
Power for the Digital Revolution®

# HKS 2

LOUDSPEAKERS  
OWNER'S MANUAL



**harman/kardon®**

250 Crossways Park Drive, Woodbury, New York 11797  
1.800.422.8027 (USA only) Fax: 516.682.3523  
© 2002 Harman Kardon, Incorporated  
♻️ Part No. wi5176

- 2 Introduction
- 3 Speaker Placement
- 4 Mounting Options
- 5 Speaker Connections
- 5 Connection Guide
- 5 Configuring Your Receiver or Processor
- 6 Troubleshooting
- 7 Specifications

**Introduction**

Thank you for purchasing the Harman Kardon HKS 2 loudspeakers, with which you are about to begin many years of listening enjoyment. The HKS 2 has been custom-designed to provide high-fidelity audio reproduction of your favorite music and movie selections.

To obtain maximum enjoyment from your new speakers, we urge you to take a few minutes to read through this manual. This will ensure that connections to your receiver or amplifier are made properly. In addition, a few minutes spent understanding the setup options will enable you to take advantage of all the power and refinement the HKS 2 is able to deliver.

If you have any questions about this product, its installation or operation, please contact your dealer, the best local source of information.

**Features**

The HKS 2 is a pair of identical, 2-way, bass-reflex satellite speakers for use in the left and right front speaker positions in a two-channel stereo system; or they may be used in a home theater system as left/right front, surround, or surround back channels.

Harman Kardon invented the high-fidelity receiver almost fifty years ago. The HKS 2 is a perfect complement to a Harman Kardon receiver or any home theater system.

■ **Matched Pair of Loudspeakers for Use in Stereo, Multichannel or Multiroom Applications**

■ **Speakers Are Magnetically Shielded for Flexible Placement Near Video Monitors**

■ **Four-Inch Driver in Bass-Reflex Enclosure Features High-Output 1-Inch-Diameter Voice Coil**

■ **One-Inch Balanced-Dome Tweeter**

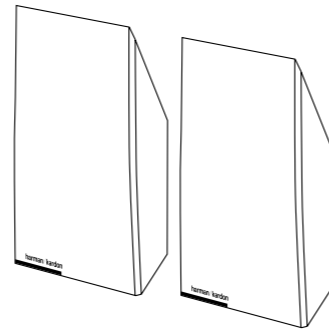
■ **High-Quality, 5-Way, Binding-Post Speaker Terminals**

■ **Removable Cloth Grille**

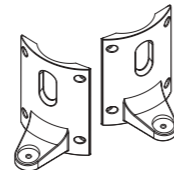
■ **Elegant Cabinet Features Built-In, 2-Position Tilt for Aiming Output Toward Listening Area**

■ **Includes Wall-Mount Brackets and Speaker Cables**

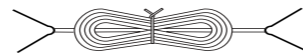
**Included**



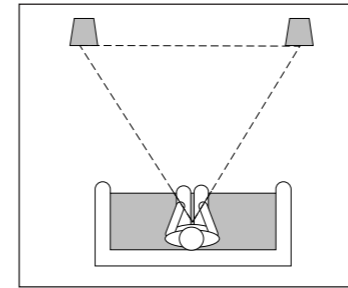
Two satellites for left/right front, surround, or surround back channels



Two wall-mount brackets and eight screws

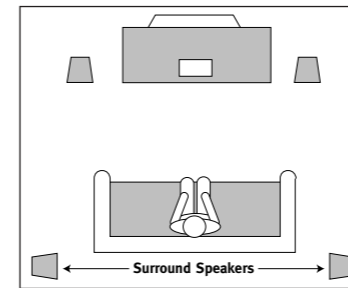


Two 40' speaker cables for connection from receiver or amplifier to speakers



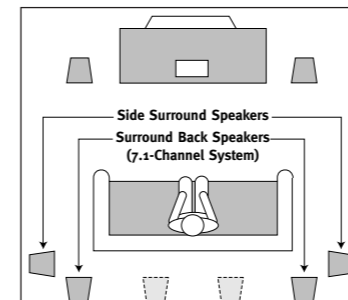
**When Used as Front Speakers**

Front speakers should be placed the same distance from each other as they are from the listening position. They should be placed at about the same height from the floor as the listeners' ears, or they may be angled toward the listeners. The contoured design of the HKS 2 speaker enclosure allows the speaker to be placed on a lower shelf and tilted upward toward the listener simply by positioning the speaker back onto its tilted surface.

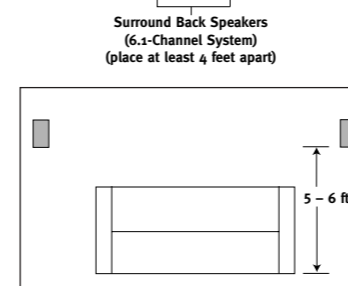


**When Used as Surround Speakers**

For 5.1-channel applications, the two surround speakers should be placed slightly behind the listening position and, ideally, should face each other and be at a level higher than the listeners' ears. If that is not possible, they may be placed on a wall behind the listening position, facing forward.



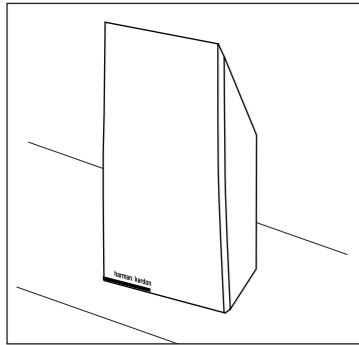
In 7.1-channel systems, place the side surround speakers slightly behind the listening position, as shown in the diagram to the left. The surround back speakers should be placed on the rear wall, facing forward, the same distance apart as the main front speakers.



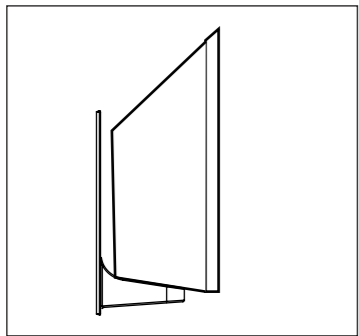
In 6.1-channel systems, you may use a pair of HKS 2 speakers for the surround back speakers in place of a single rear center speaker. Using two speakers will provide a more diffuse surround effect, and will also increase the total sound output for the surround back channel without overworking any individual speaker. Place the two speakers on the rear wall the same distance apart as each speaker is from the listener, but at least four feet apart.

The surround back speakers in a 6.1- or 7.1-channel system should be placed at the same height as the surround speakers, about 5 to 6 feet above the floor.

The surround speakers should not call attention to themselves. Experiment with their placement until you hear a diffuse, ambient sound accompanying the main-program material heard in the front speakers.



The speakers may be placed on a shelf. They may be tilted upwards simply by tilting them back onto their sculpted surfaces.

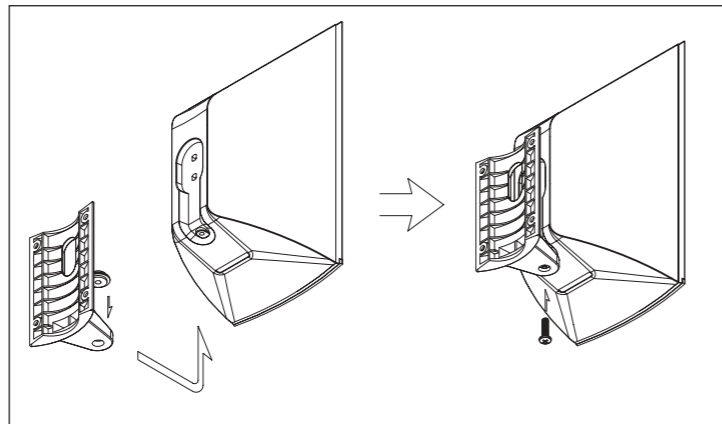
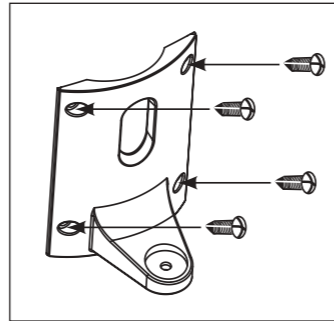


They may be wall-mounted using the supplied brackets.

**Wall-Mounting**

Attach the bracket to the wall. We strongly recommend that you position the speakers so that the mounting screws used connect directly to a wooden wall stud. If that is not possible, use optional wall anchors that are rated to support at least twenty-five pounds, and install them following the manufacturer's instructions carefully.

You are responsible for proper selection and use of mounting hardware, available through hardware stores, to properly and safely wall-mount the speakers.



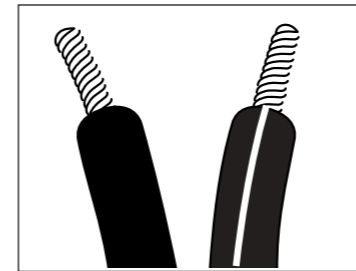
Insert the knob supplied in the hardware packet into the bracket as shown.

Then place the speaker on the bracket and secure it from below using the supplied screw.

**Connection Guide**

**IMPORTANT NOTE:** Before making speaker connections, be certain that your receiver or audio power amplifier is turned off and, preferably, unplugged from its AC power source.

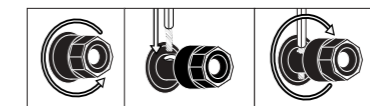
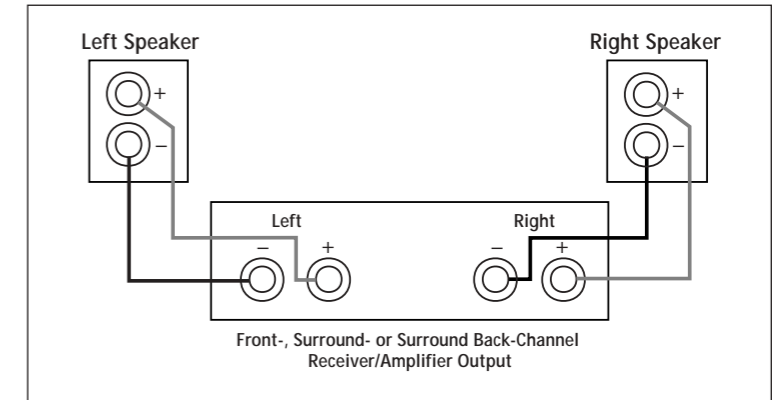
Separate and strip the ends of the speaker wire as shown. Speakers and electronics terminals have corresponding (+) and (-) terminals. Most manufacturers of speakers and electronics, including Harman Kardon, use red to denote the (+) terminal and black for the (-) terminal.



Many newer Harman Kardon receivers conform to the new CEA standard and therefore use a color other than red for the (+) terminal to indicate some speaker positions: e.g., blue for surround left positive (+). However, the black terminal will always be the negative (-) connection. Please see the owner's guide for your AVR Series receiver for further details.

The (+) lead of the speaker wire is often noted with a stripe or ridge. It is important to connect both speakers identically: (+) on the speaker to (+) on the amplifier and (-) on the speaker to (-) on the amplifier. Wiring "out of phase" results in thin sound, weak bass and a poor stereo image.

With the advent of multichannel surround sound systems, connecting all of the speakers in your system with the correct polarity remains equally important in order to preserve the proper ambience and directionality of the program material.



**Configuring Your Receiver or Processor**

Many receivers and processors feature programmable bass-management capability, which allows the component to output the lowest frequencies (the bass information) exclusively to a separate subwoofer speaker, or to a main speaker that is capable of handling low frequencies, or sometimes to both. During the setup process you will be asked to specify whether the speaker for a given channel is "Large" or "Small". The terms "Large" and "Small" do not refer to physical size, but to the size of the frequency range the speaker is capable of handling. When configuring your receiver or processor for the channels where HKS 2 speakers are being used, select "Small".

SYMPTOM	SOLUTION
If there is no sound from any of the speakers:	<ul style="list-style-type: none"> <li>• Check that receiver/amplifier is on and a source is playing.</li> <li>• Check all wires and connections between receiver/amplifier and speakers. Make sure all wires are connected. Make sure none of the speaker wires are frayed, cut or punctured.</li> <li>• Review proper operation of your receiver/amplifier.</li> </ul>
If there is no sound coming from one speaker:	<ul style="list-style-type: none"> <li>• Check the "Balance" control on your receiver/amplifier.</li> <li>• Check all wires and connections between receiver/amplifier and speakers. Make sure all wires are connected. Make sure none of the speaker wires are frayed, cut or punctured, and that no wires are touching each other.</li> <li>• In Dolby Digital or DTS mode, make sure that the receiver/processor is configured so that the speaker in question is enabled.</li> <li>• In Dolby Digital or DTS mode, check the speaker and channel output levels and adjust if needed.</li> <li>• Turn off all electronics and switch the speaker in question with one of the other speakers that is working correctly. Turn everything back on, and determine whether the problem is in the same place: i.e., the speaker that was working previously now has no sound and the speaker that was not working now sounds fine; or whether it has moved: i.e., the speaker that was not working still has no sound and the speaker that was working is still fine. If the problem is in the same place, the source of the problem is most likely with your receiver or amplifier, and you should consult the owner's manual for that product for further information. If the problem has followed the speaker, consult your dealer for further assistance or, if that is not possible, visit our Web site at <a href="http://www.harmankardon.com">www.harmankardon.com</a> for further information.</li> </ul>
If the system plays at low volumes but shuts off as volume is increased:	<ul style="list-style-type: none"> <li>• Check all wires and connections between receiver/amplifier and speakers. Make sure all wires are connected. Make sure none of the speaker wires are frayed, cut or punctured.</li> <li>• If more than one pair of main speakers is being used, check the minimum impedance requirements of your receiver/amplifier.</li> </ul>
If there is low (or no) bass output:	<ul style="list-style-type: none"> <li>• Make sure the polarities (+ and –) of the left and right speaker inputs are connected properly.</li> <li>• Consider adding a powered subwoofer to your system.</li> </ul>
If there is no sound from the surround speakers:	<ul style="list-style-type: none"> <li>• Check all wires and connections between receiver/amplifier and speakers. Make sure all wires are connected. Make sure none of the speaker wires are frayed, cut or punctured.</li> <li>• Review proper operation of your receiver/processor and its surround sound features.</li> <li>• Make sure the movie or TV show you are watching is recorded in a surround sound mode. If it is not, check to see whether your receiver/processor has other surround modes you may use.</li> <li>• In Dolby Digital or DTS mode, make sure your receiver/processor is configured so that the surround speakers are enabled.</li> <li>• Review the operation of your DVD player and the jacket of your DVD to make sure that the DVD features the desired Dolby Digital or DTS mode, and that you have properly selected that mode using both the DVD player's menu and the DVD disc's menu.</li> </ul>

**Recommended Power**  
10 – 110 watts

**Impedance**  
8 ohms nominal

**Sensitivity**  
86dB @ 1 watt/1 meter

**Frequency Response**  
80Hz – 20kHz (–6dB)

**Tweeter**  
One 1" dome, video-shielded

**Midrange**  
One 4" driver, video-shielded

**Dimensions (H x W x D)**  
10-1/8" x 5-1/4" x 5-3/8"  
257mm x 133mm x 137mm

**Weight**  
6.6 lb/3kg

All features and specifications are subject to change without notice.

Harman Kardon and Power for the Digital Revolution are registered trademarks of Harman Kardon, Inc.

\* Trademarks of Dolby Laboratories.

DTS is a registered trademark of Digital Theater Systems, Inc.